

epiLED

CE UK
CA

RoHS
E510104

RoHS

LED Board

Planar Net Silk 3.5W

3.5W

605lm

173
lm/W

178°

IP
65

3
YEAR
warranty

PWM

24V
DC



NEW LENS

Wide 178° beam angle for maximum light coverage.

Even light distribution across the entire surface.

Optimal illumination without light loss.

173
lm/W

Luminous efficacy

High-performance LED delivers more light with lower energy consumption

24V
DC

Power supply voltage

24VDC compared to 12VDC ensures less brightness drop-off

3
YEAR
warranty

Warranty

Greater reliability, longer lifespan for advertising displays and most importantly, peace of mind



6-25 cm

Perfect for lightboxes with a depth of 6-25 cm



Quick installation

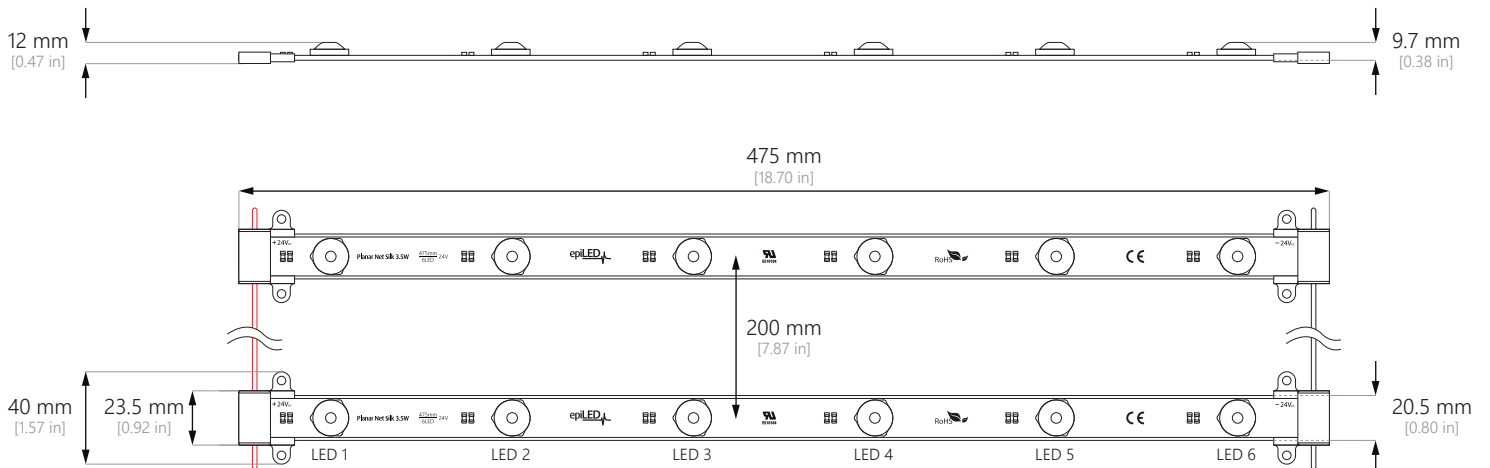
The planar design significantly reduces installation time



No waste

The board can be cut after each wire connection, preventing waste

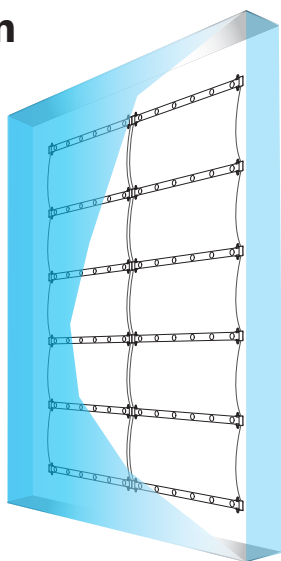
DIMENSIONS



APPLICATION

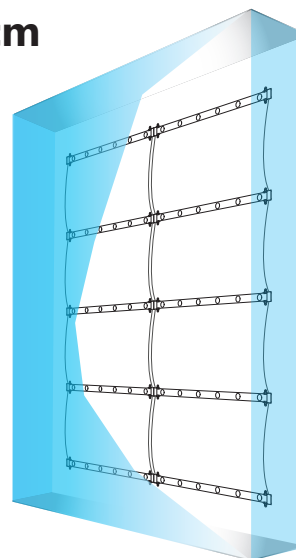
best suited for lightboxes, textile frames and stretch ceilings with a depth of **6-25 cm**

6 cm
depth



Area: **1 m²**
CC distance: **16 cm**
No. of boards: **12 pcs**
Lumen output: **7260 lm**
Power usage: **42W**

≥ 10 cm
depth



Area: **1 m²**
CC distance: **20 cm**
No. of modules: **10 pcs**
Lumen output: **6050 lm**
Power usage: **35W**

the exact number of modules depends on the used materials and the effect we want to achieve

TECHNICAL SPECIFICATION

Input voltage	24V DC
Nominal power usage per board	3.5W
Nominal power usage per chain	35W [3.5W x 10 pcs]
Colour rendering index	≥82
Beam angle	178°
Current stabilization	NO
Dimmable	YES
Board dimensions (L x W x H)	475 x 40 x 12 mm [18.70 x 1.57 x 0.47 in]
Cutting section	n/a
Maximum spacing (CC distance)	200 ± 5 mm [7.87 in]
No. of boards per chain	10 pcs
Lifespan	~50000 hours
Operating temperature	-25°C ÷ +50°C
Storage temperature	-40°C ÷ +85°C
IP rating	IP65
Compliance with	CE / UKCA / RoHS / WEEE / UL
Warranty	3 years

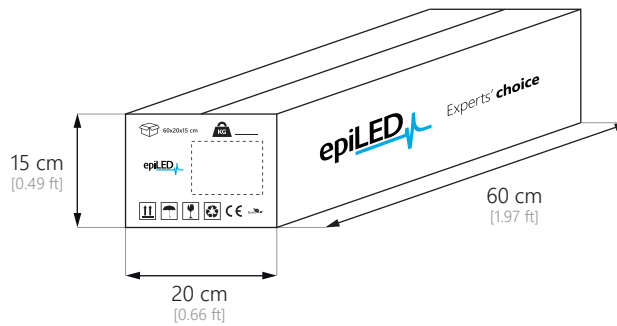
POSSIBLE COLOURS

Light colour	CCT [K]	Luminous flux [lm/pc]	Luminous efficacy [lm/W]	Energy class
WH	6500-7000	605	173	C

ask our sales team for details of available colours

PACKING INFORMATION

	Chain	Bag	Box
Quantity	10 pcs	10 pcs	180 pcs
Gross weight	0,79 kg [2,14 lbs]	0,79 kg [2,14 lbs]	5,5 kg [12,13 lbs]



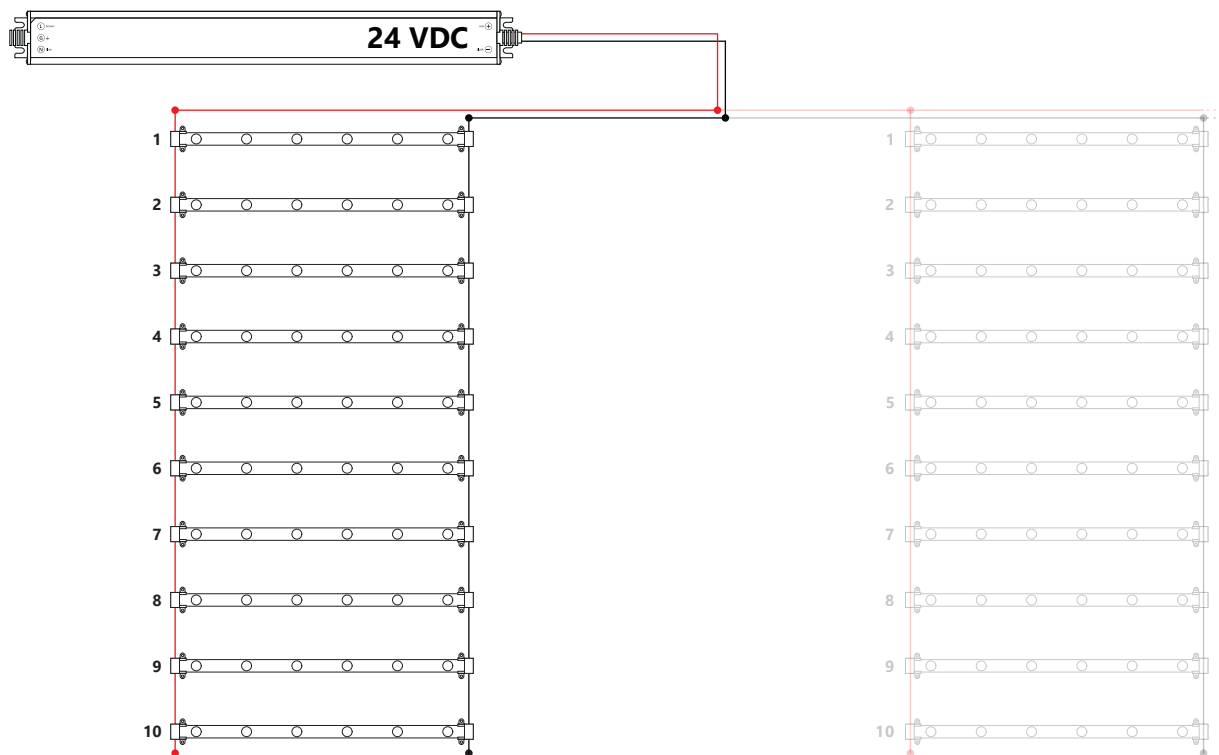
SUGGESTED POWER SUPPLY SELECTION

No. of boards [pcs]	Power supply rating [W]	Total brightness [lm]	Illumination area for a 6 cm depth [m ² / sqft]		Illumination area for a ≥ 10 cm depth [m ² / sqft]	
6	30	3630	0.5	5.2	0.6	6.5
10	45	6050	0.8	8.6	1.0	10.8
12	60	7260	1.0	10.3	1.2	12.9
16	75	9680	1.3	13.8	1.6	17.2
22	100	13310	1.8	18.9	2.2	23.7
34	150	20570	2.7	29.3	3.4	36.6
44	200	26620	3.5	37.9	4.4	47.4
54	240	32670	4.3	46.5	5.4	58.1

power supply reserve ≥ 20%

CONNECTION DIAGRAM

single-sided power for single sections: **max. 10 pcs**



DOWNLOAD

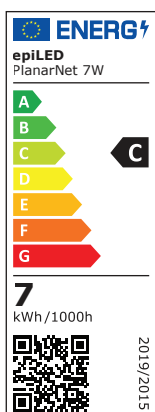
LED Board installation guide

<https://www.epiled.pl/download/led-board-installation-guide.pdf>

EU Declaration of Conformity

<https://www.epiled.pl/download/deklaracje/eu-declaration-of-conformity-led-modules.pdf>

EPREL



STANDARDS COMPLIANCE

PN-EN IEC 55015:2019-11/A11:2020-07
PN-EN IEC 61000-3-2:2019-0
PN-EN 61000-3-3:2013-10
PN-EN 61547:2009
PN-EN 62031:2020
PN-EN 62471:2008
PN-EN 62321:2019
EN IEC 63000:2019-01

TERMS AND CONDITIONS OF USE

1. Before installing the Planar Net, discharge any static electricity from your body and clothing by touching a grounded metal surface. LEDs are sensitive to electrostatic discharge (ESD).
2. Verify that the Planar Net works correctly before installation. Check its colour and uniformity of light.
3. The Planar Net is suitable for outdoor use but should not be installed in locations exposed to direct weather conditions or human interference.
4. Power the Planar Net according to the data sheet and the information on the label. Pay close attention to the connection diagram provided in this document.
5. Shortening the Planar Net is prohibited.
6. Bending the Planar Net is prohibited.
7. The distance between the Planar Net and the power supply should be kept to a minimum (to reduce voltage drop).
8. The power supply used in the installation should have at least a 20% power reserve.
9. For increased durability, in addition to double-sided adhesive tape, use mounting glue to attach the Planar Net.
10. Direct pressure on the lenses and resistors is prohibited during installation.
11. When connecting the controller / power supply, ensure proper polarity.
12. **Non-compliance with the above recommendations will result in loss of warranty.**